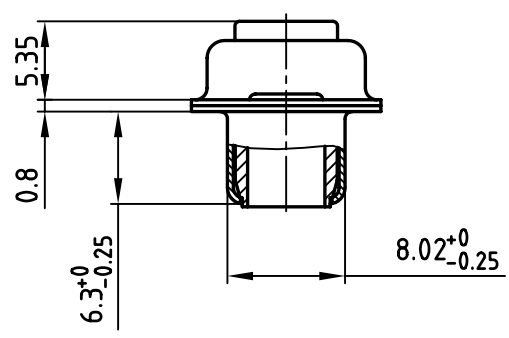
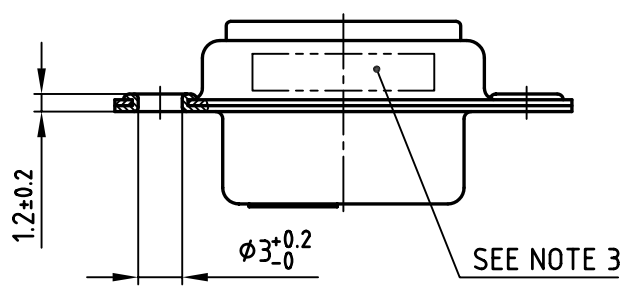
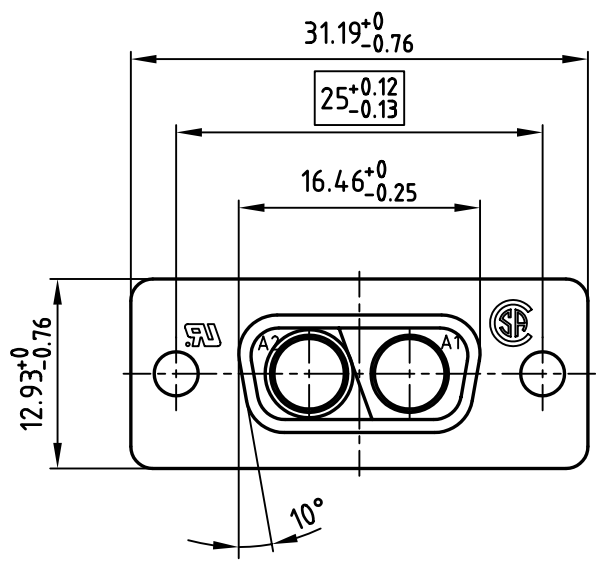


used for: D-SUB COMBINATION



Directive 2002/95/EC  
"RoHS"  
Compliant

APPROVAL # FREIGABE # DEBLOCAGE # AUTOR/ZACION # APPROVAL

CUSTOMER APPROVAL DATE:

NAME: TITLE:

COMPANY NAME:

APPROVAL # FREIGABE # DEBLOCAGE # AUTOR/ZACION # APPROVAL

NOTES:

1. METALSHELLS: STEEL: TIN PLATED
2. INSULATORS: PBT GF UL 94 V-0; GREEN
3. CONNECTOR IS PART MARKED: PART-NO. CONEC Y/WW
4.  = CRITICAL DIMENSION

THIS DRAWING MAY NOT BE COPIED OR REPRODUCED IN ANY WAY, AND MAY NOT BE PASSED ON TO A THIRD PARTY WITHOUT WRITTEN PERMISSION. OWNERSHIP AND COPYRIGHT OF CONEC GmbH DO NOT ALTER CAD DRAWING BY HAND

tolerance			dim. in mm	
1998	date	name		
drawn	17.09.	Barcinski		
appd.	17.09.	Mickenbecker		
norm				
d-old				
rev.	description	date	name	



scale:	2:1	
material:	SEE NOTES	
title:	D-SUB COMBINATION FEMALE 2W2CS WITHOUT CONTACTS	
dwg no:	AutoCAD/REL.13	DIN-A
	13K11J3A	4
		sh: 1/1
part no:	302W2CSXX99A10X	